



LED Lighted Bumper Kit Installation Instructions - Slash 4X4

Covers Part #6894

Kit contents:

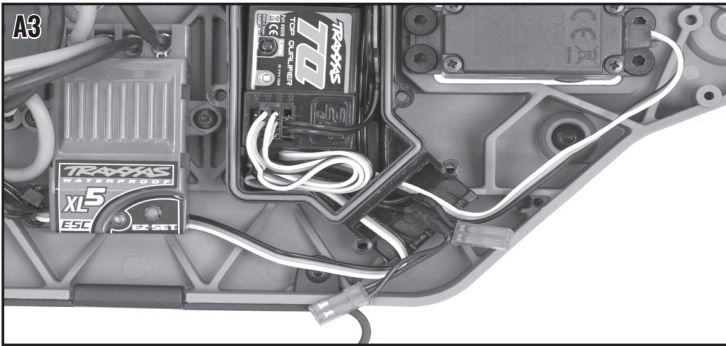
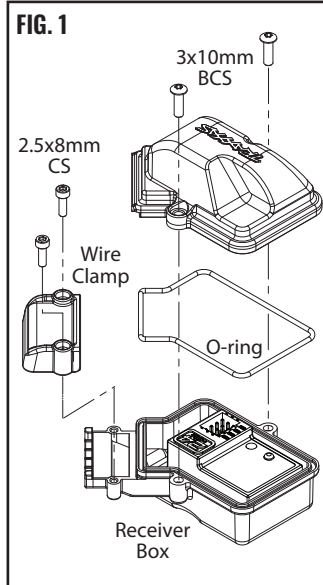
- Front bumper assembly
- Rear bumper assembly
- Power Y-harness
- Zip ties (7)

Tools required:

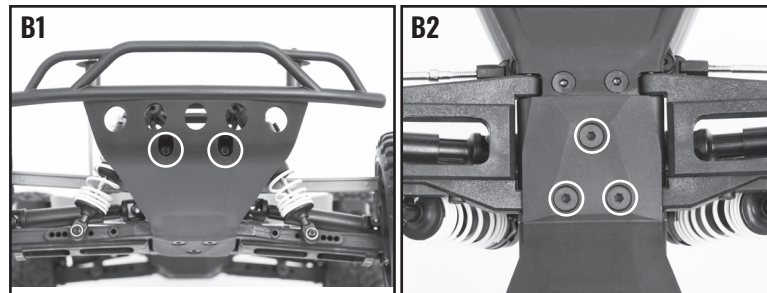
- 2mm hex wrench
- 2.5mm hex wrench
- Silicone grease

A. POWER WIRE HARNESS INSTALLATION

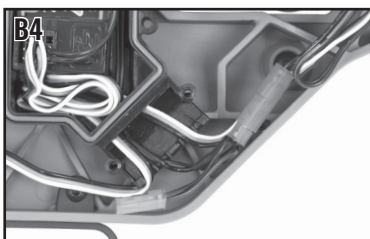
- A1. Remove the wire clamp by removing the two 2.5x8mm CS (Fig. 1).
- A2. Remove the receiver box cover by removing the two 3x10mm CS (Fig. 1).
- A3. Route the power Y-harness into the receiver box and plug it into any open channel on the receiver. Position the power Y-harness in a wire guide of the receiver box.
- A4. Apply a small bead of silicone grease (*part #1647, sold separately*) to the wire clamp foam. Install the wire clamp and tighten the two 2.5x8mm CS securely. **Note:** Make sure not to pinch the wires in the clamp.
- A5. Make sure the blue O-ring seal is properly seated in the groove in the receiver box so that the cover will not pinch it or damage it in any way.
- A6. Reinstall the cover on the receiver box and tighten the two 3x10mm BCS securely. Inspect the cover to make sure that the O-ring seal is not visible.



B. FRONT BUMPER AND HEADLIGHTS INSTALLATION

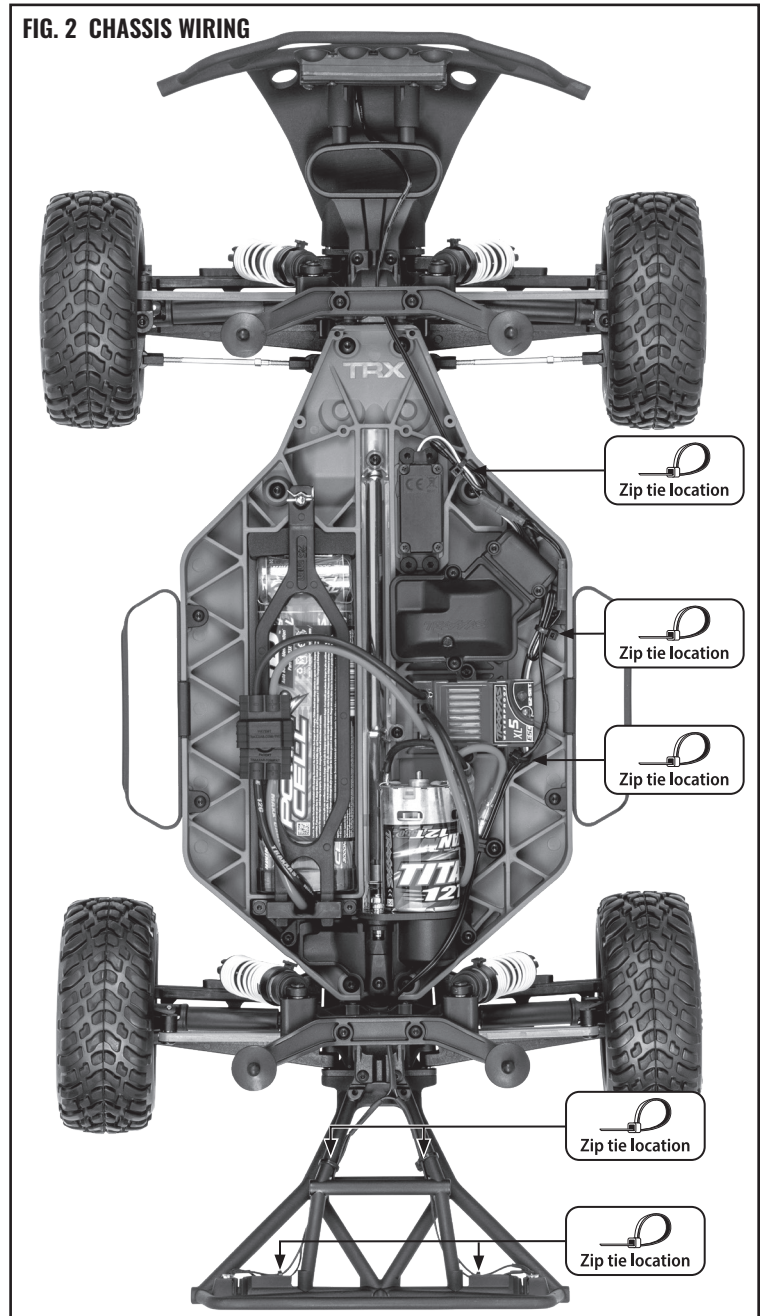


- B1. Remove the 4x10mm BCS (2) securing the existing front bumper to the bumper mount.
- B2. Remove the front bumper from the chassis by removing the 4x10mm CCS (3).
- B3. Attach the new front bumper to the chassis and bumper mount with the removed screws in the same locations.
- B4. Route the wire harness from the front bumper along the chassis toward the receiver box (*refer to Fig. 2 Chassis Wiring for more detail*). Plug the red male connector from the power Y-harness into the red female connector from the headlights harness.
- B5. Use one of the included zip ties to secure the harness to the chassis (*refer to Fig. 2 Chassis Wiring for more detail*).

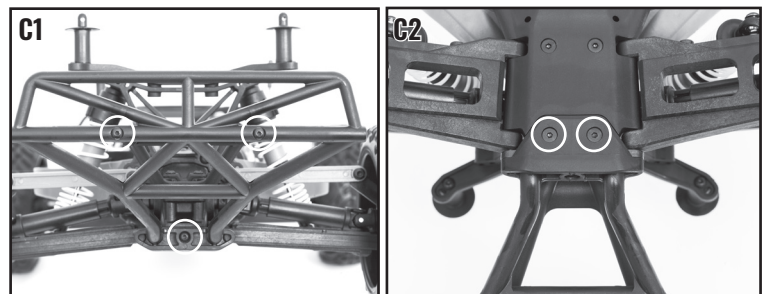


If you have questions or need technical assistance, call Traxxas at
1-888-TRAXXAS
 (1-888-872-9927) (U.S. residents only)

FIG. 2 CHASSIS WIRING



C. REAR BUMPER AND TAIL LIGHTS INSTALLATION



- C1. Remove the 3x12mm BCS (2) and 3x20mm BCS (1) securing the rear bumper to the bumper mount.
- C2. Remove the rear bumper from the chassis by removing the 3x12mm CCS (2).
- C3. Attach the new rear bumper to the chassis and bumper mount with the removed screws in the same locations.
- C4. Route the wire harness from the rear bumper guard along the chassis toward the receiver box (*refer to Fig. 2 Chassis Wiring for more detail*). Plug the red male connector from the power Y-harness into the red female connector from the tail lights harness.
- C5. Use the remaining included zip ties (6) to secure the harness to the chassis (*refer to Fig. 2 Chassis Wiring for more detail*).

